



VoyagerBT™ is a wireless, laser bar code scanner designed for low to medium throughput Point of Sale (POS) or light warehouse applications where the convenience of a wireless hand held scanner is needed.

Sunrise 2005 Compliant

MS9535 VoyagerBT™

Features

- Cable-free scanning using Bluetooth® v1.1 technology
- CodeGate® data transmission technology ideal for menu scanning
- Up to 12,000 scans per charge
- Supports master and client modes
- Recharging base station with in base scanning
- Wall or countertop mounting
- 10 meter (33') working range
- Decodes RSS-14, RSS Limited and RSS Expanded bar codes
- Two way communication - user receives audible and visual confirmation of each scan

Metrologic's VoyagerBT offers convenience and the freedom of mobility by incorporating Bluetooth wireless technology. This latest member of the Voyager Series continues the trend of combining patented technology, high performance, and a futuristic design.

VoyagerBT provides a lightweight, comfortable, and easy to use scanning solution. The patented CodeGate feature remains at the core of the scanner's functionality. The scanner wakes automatically when the integrated IR sensor is activated. To scan a bar code, simply align the laser scan line and press the CodeGate button. The data is transmitted wirelessly to the host. Operators will

find the brightly-lit laser easy to see and to line up on a desired bar code making VoyagerBT perfect for menu scanning applications.

Scanning large or heavy products can be done quickly and easily. VoyagerBT offers check-out personnel the ability to scan bulky items without the need for unnecessary heavy lifting.

VoyagerBT includes the ability to decode Reduced Space Symbology (RSS) bar codes. VoyagerBT can be used in applications including supermarkets, hypermarkets, warehouse shopping clubs, retailers, light warehouse and manufacturing.

Bluetooth is a trademark owned by Bluetooth SIG, Inc. and is used by Metrologic under license.



MS9535 VoyagerBT™

OPERATIONAL

| | |
|------------------------|---|
| Light Source | Visible Laser Diode 650 nm ± 10 nm |
| Laser Power | 0.96 mW (peak) |
| Depth of Scan Field | 0 mm - 203 mm (0" - 8") for 0.33 mm (13 mil) bar codes |
| Width of Scan Field | 64 mm (2.5") @ face; 249 mm (9.8") @ 203 mm (8.0") |
| Scan Speed / Pattern | 72 ± 2 scan lines per second / Single scan line |
| Minimum Bar Width | 0.127 mm (5.0 mil) |
| Decode Capability | Autodiscriminates all standard 1-D and RSS-14 bar codes |
| System Interfaces | PC Keyboard Wedge, RS232, Light Pen Emulation, Stand Alone Keyboard, USB (low speed and full speed), IBM |
| Profile Support | Serial Port Profile (SPP) |
| Bluetooth Version | v1.1 compliant |
| Print Contrast | 35% minimum reflectance difference |
| Number Characters Read | Up to 80 data characters |
| Roll, Pitch, Yaw | 42°, 68°, 52° |
| Beeper Operation | 7 tones or no beep |
| Indicators (LED) | Blue = laser on, ready to scan; Yellow (flashing) = in base/battery charging; Yellow (solid) = in base/battery fully charged; White = good read |

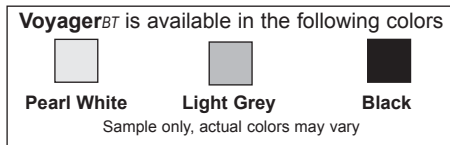
MECHANICAL

| | |
|---------------------|--|
| Height | Scanner: 198 mm (7.8"); Base: 204 mm (8.0") |
| Depth | Scanner: 40 mm (1.6"); Base: 61 mm (2.4") |
| Width | Scanner: Handle: 45 mm (1.8"); Head: 78 mm (3.1"); Base: 107 mm (4.2") |
| Weight | Scanner (with battery): 199 g (7.02 oz); Base: 225 g (7.94 oz) |
| Termination / Cable | Base Station: 10 pin modular RJ45 / 2.1 m (7') straight |

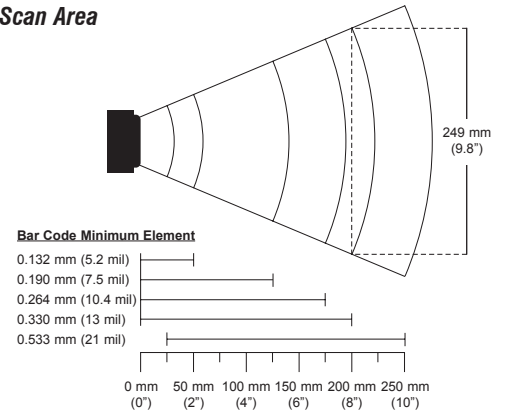
ELECTRICAL

| | |
|----------------------------------|--|
| Input Voltage | Scanner: 5.2 VDC ± 0.25 V; base station: 5.2 VDC ± 0.25 V |
| Power - Operating | Scanner: 1.2 W; base station: 0.6 W |
| Power - Standby | Scanner: 150 mW |
| Current - Charging | 2 A |
| Current - Operating | Scanner: 230 mA (max) @ 5 VDC; base station: 65 mA (max) @ 5 VDC |
| Current - Standby | Scanner: 30 mA typical @ 5 VDC |
| DC Transformers | Scanner: none; base station: Class 2; 5.2 VDC @ 2 A |
| Laser Class | Laser Class 1 In accordance with IEC 60825-1:1993+A1:1997+A2:2001 and EN 60825-1:1994+A11:1996+A2:2001 |
| EMC | FCC, ICES-003 & EN55022 Class B |
| Battery Capacity / Recharge Time | 12,000 scans per charge / recharge time=2.5 hrs |
| Radio Range / Frequency | 10 m (33 ft) / 2.4 - 2.48 GHz (frequency hopping) |

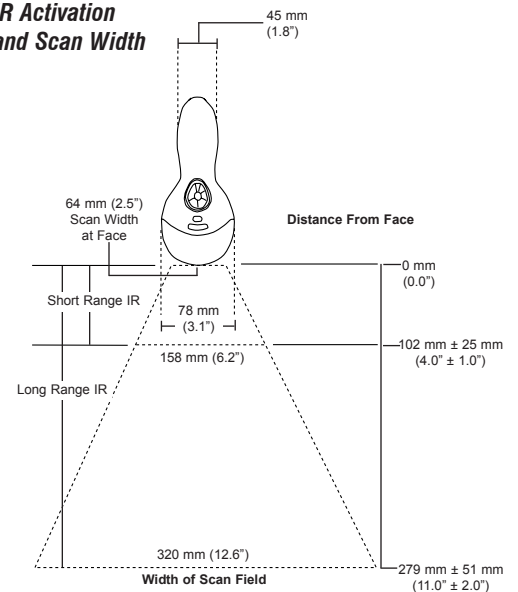
| | |
|-----------------------|--|
| Operating Temperature | 0°C to 40°C (32°F to 104°F) |
| Storage Temperature | -20°C to 50°C (-4°F to 122°F) |
| Humidity | 5% to 95% relative humidity, non-condensing |
| Light Levels | Up to 4842 Lux (450 footcandles) |
| Shock | Designed to withstand 1.5 m (5') drops |
| Contaminants | Sealed to resist airborne particulate contaminants |



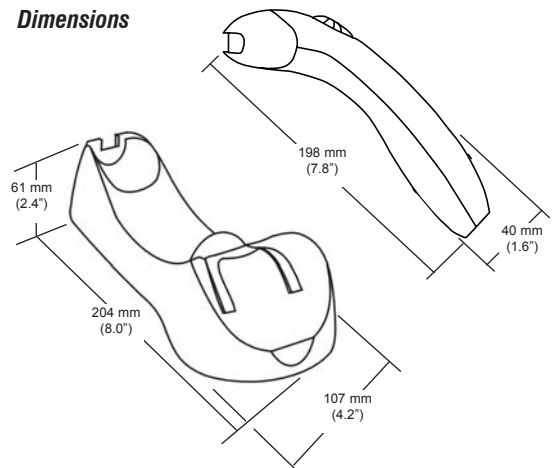
Scan Area



IR Activation and Scan Width



Dimensions



VIC COMPUTER (HK) CO., LTD.
 域士電腦(香港)有限公司
Tel: (852) 2725 1612
Fax: (852) 2725 0766
Email: Sales@VIC.HK
http://VIC.HK